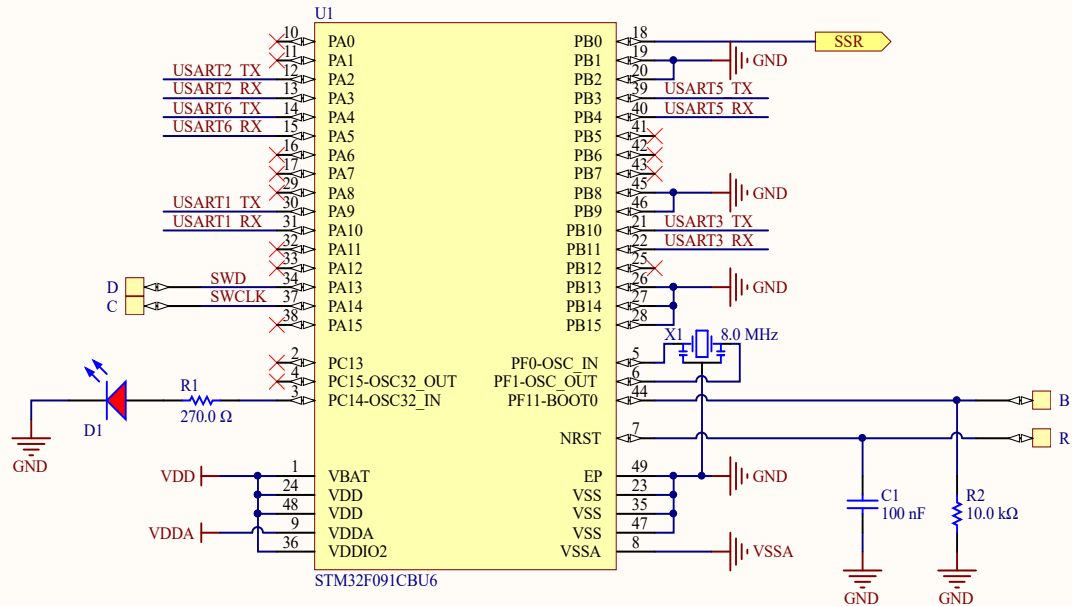
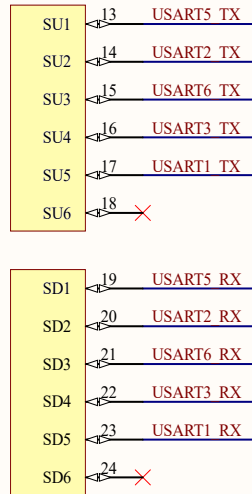
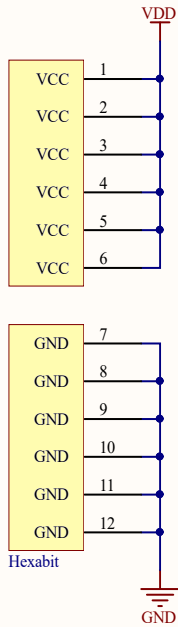
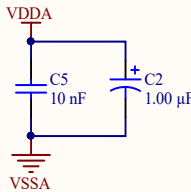


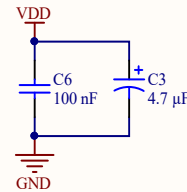
VDD = +3.3V



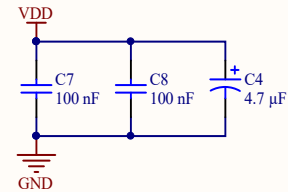
VDDA Coupling



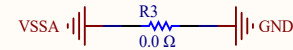
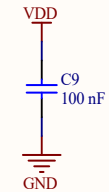
VDDIO2 Coupling



VDD Coupling

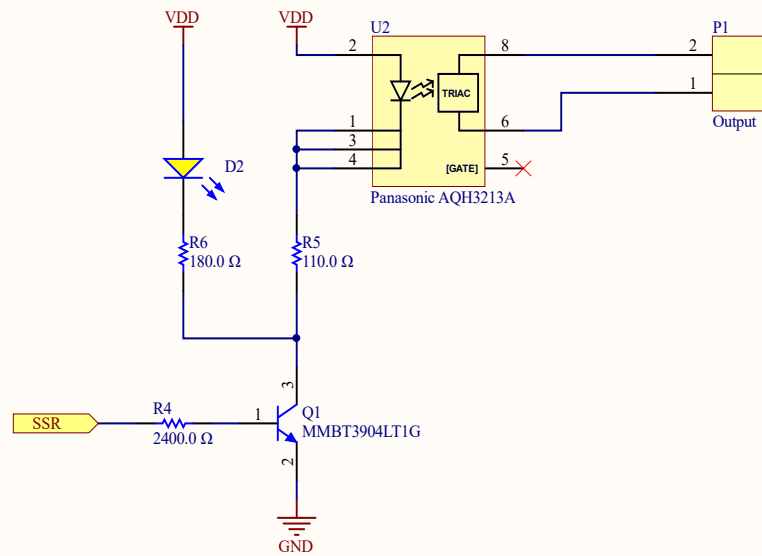


VBAT



Title H09R00 - MCU			Module: <i>H09R00.PrjPcb</i>
Size: Letter	Author: Asaad	Revision: 0	Description: <i>Solid State Relay</i>
Date: <i>5/6/2017</i>	Time: <i>4:54:02 PM</i>	Sheet 1 of 2	
File: <i>H09R00 MCU.SchDoc</i>			





Title H09R00 - Peripheral			Module: <i>H09R00.PrjPcb</i>
Size: Letter	Author: Asaad	Revision: 0	Description: <i>Solid State Relay</i>
Date: 5/6/2017	Time: 4:54:02 PM	Sheet 2 of 2	
File: H09R00 Peripheral.SchDoc			www.hexabitz.com

